

Bourdon tube pressure gauge, with plastic capillary

Model 101.00, nominal size 40

Model 101.12, nominal size 27

WIKA data sheet PM 01.22

Applications

- For heating equipment and plants

Special features

- Extremely flexible
- Model 101.00: very simple to install (snap-in mounting)
- No further bending or coiling necessary
- Long-term tested

Description

Nominal size in mm

Model 101.00: NS 40

Model 101.12: NS 27

Accuracy class

NS 40: 2.5 %

NS 27: 4 %

Scale ranges

0 ... 4, 0 ... 6 bar

Pressure limitation

Steady: 3/4 x full scale value

Fluctuating: 2/3 x full scale value

Short time: Full scale value

Permissible temperature

Ambient: 0 ... +60 °C

Medium: +60 °C maximum

Temperature effect

When the temperature of the measuring system deviates from the reference temperature (+20 °C): max. ± 0.4 %/10 K of the span



Bourdon tube pressure gauge model 101.00.040



Bourdon tube pressure gauge model 101.12.027

Standard version

Process connection

Via capillary, plastic (PE-LLD)
capillary length 260 ... 2,000 mm

Pressure element

Copper alloy

Movement

Copper alloy

Dial

Plastic, white, with pointer stop pin,
black lettering

Pointer

Plastic, black

Case

Plastic, black or white
Model 101.00: with snap-in mounting

Window

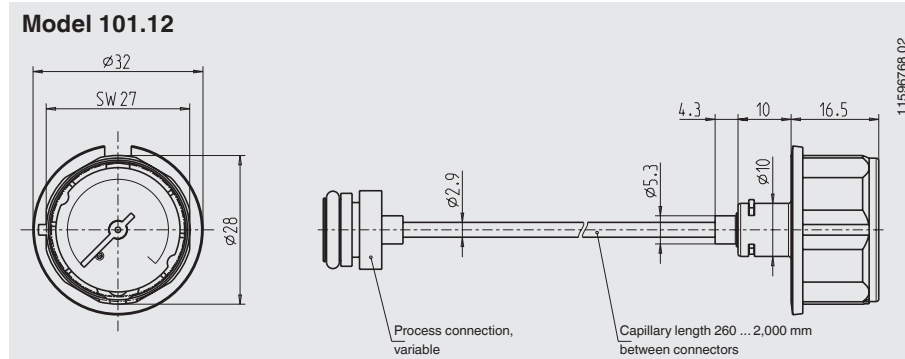
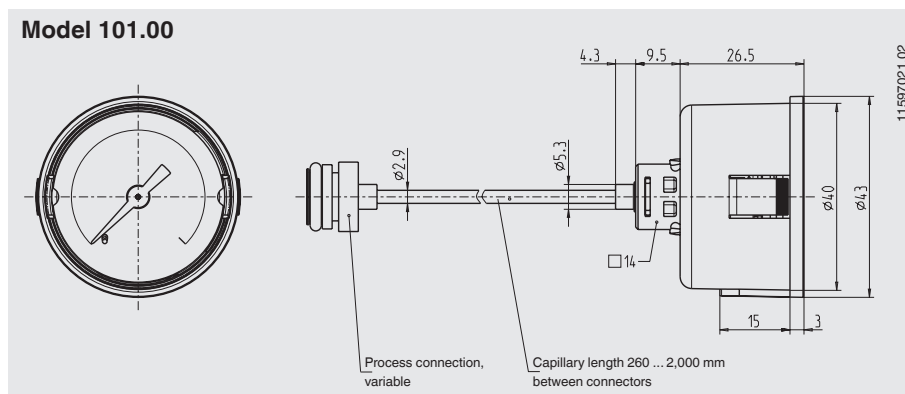
Plastic, crystal-clear, snap-fitted in case

Options

- Other process connection

Dimensions in mm

Standard version



Ordering information

Model / Nominal size / Scale range / Process connection (capillary, capillary length) / Options

© 2010 WIKA Alexander Wiegand SE & Co. KG, all rights reserved.
The specifications given in this document represent the state of engineering at the time of publishing.
We reserve the right to make modifications to the specifications and materials.

